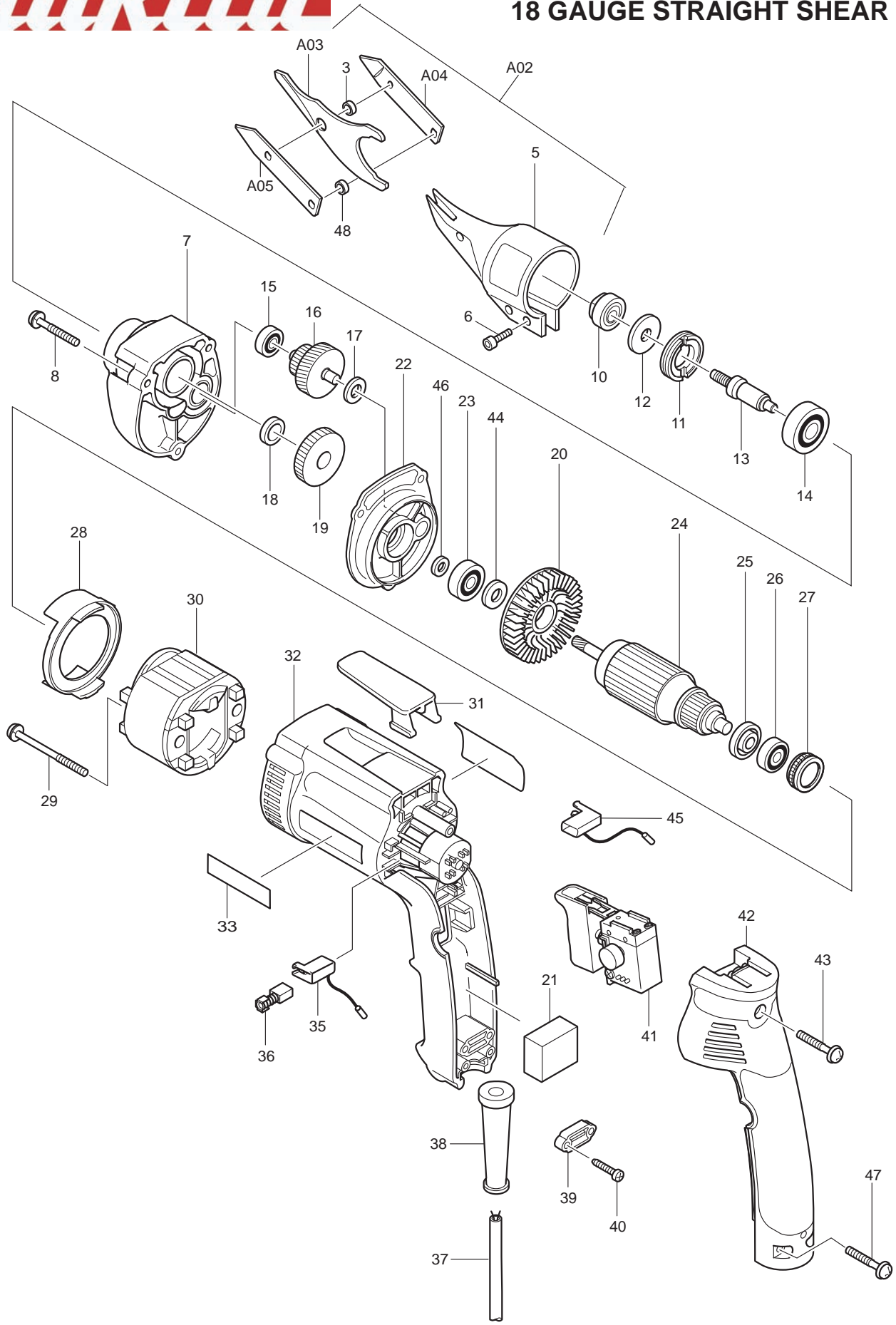




02 - 2010

JS1300

18 GAUGE STRAIGHT SHEAR



Item No	Type	Ref	Part No	Description	Qty	Unit
3			257705-5	SLEEVE 5	1	PC.
5			152663-9	CUTTING HEAD COM - N/L/A as individually (Use Item A02)	1	PC.
6			266268-0	HEX. SOCKET HEAD BOLT	3	PC.
7			317419-9	GEAR HOUSING	1	PC.
8			266050-7	TAPPING SCREW 4X30	3	PC.
10			125111-1	BEARING ASS'Y	1	PC.
11			285802-7	BEARING RETAINER 19-33	1	PC.
12			267223-5	FLAT WASHER 10	1	PC.
13			324066-9	SPINDLE	1	PC.
14			211129-9	BALL BEARING 6201DDW	1	PC.
15			211014-6	BALL BEARING 606	1	PC.
16			226133-5	GEAR COMPLETE 17-35	1	PC.
17			267017-8	FLAT WASHER 8	1	PC.
18			257010-0	RING 12	1	PC.
19			227010-4	SPUR GEAR 36	1	PC.
20			240022-0	FAN 52	1	PC.
22	1		151721-8	* GEAR HOUSING COVER COMPLETE - N/L/A	1	PC.
	2		152910-8	* GEAR HOUSING COVER COMPLETE	1	PC.
23			210007-0	BALL BEARING 608VV	1	PC.
24			517321-8	ARMATURE ASS'Y 115V	1	PC.
		INC.		Item No. 20,23,25,26,44		
25			681636-0	INSULATION WASHER	1	PC.
26			211021-9	BALL BEARING 607LLB	1	PC.
27			421479-6	RUBBER RING 19	1	PC.
28			416993-5	BAFFLE PLATE	1	PC.
29			266147-2	TAPPING SCREW 4X55	2	PC.
30			633441-1	FIELD 115V	1	PC.
31	1		416996-9	* HOOK	1	PC.
	2		417625-7	* HOOK	1	PC.
32	4		450718-7	* MOTOR HOUSING	1	PC.
33			819063-3	* MAKITA LABEL (Old)	1	PC.
35			643971-4	BRUSH HOLDER	1	PC.
36	1		191927-6	CARBON BRUSH CB-407 2PC/SET, W/O ORIGIN - N/L/A	1	SET
	2		195007-0	CARBON BRUSH CB-407 2PC/SET, W/O ORIGIN	1	SET
37			664064-4	CORD W/PLUG 2P-18-2.5M, SJ	1	PC.
38			682559-5	CORD GUARD 8	1	PC.
39			687063-9	CORD CLAMP	1	PC.
40			265995-6	TAPPING SCREW 4X18	2	PC.
41			651296-2	SWITCH C3MA-2L-S	1	PC.
42	3		158710-4	* HANDLE COVER COMPLETE	1	PC.
		INC.	263002-9	* RUBBER PIN 4	2	PC.
43			265999-8	TAPPING SCREW 4X25	1	PC.
44			253139-0	FLAT WASHER 8	1	PC.
45			643973-0	BRUSH HOLDER	1	PC.
46			262087-2	* RING 8	1	PC.
47			265999-8	TAPPING SCREW 4X25	2	PC.
48			257705-5	SLEEVE 5	1	PC.
49			442136-3	* GASKET (Added)	1	PC.
100			654121-6	TAB	4	PC.

ACCESSORIES

- See catalogue or visit www.makita.ca for more accessories information

A01			783215-1	HEX. WRENCH 5/32'	1	PC.
A02	1		125112-9	SHEAR HEAD ASS'Y W/O LABEL	1	PC.
		INC.		Item No. 3, 5, 6,48, A03 - A05		
	2		125849-8	SHEAR HEAD ASS'Y W/LABEL	1	PC.
		INC.	808046-8	INDICATION LABEL	1	PC.
		INC.		Item No. 3, 5, 6,48, A03 - A05		

Item No	Type	Ref	Part No	Description	Qty	Unit
A03			792744-3	CENTER BLADE	1	PC.
A04			792742-7	SIDE BLADE R	1	PC.
A05			792743-5	SIDE BLADE L	1	PC.

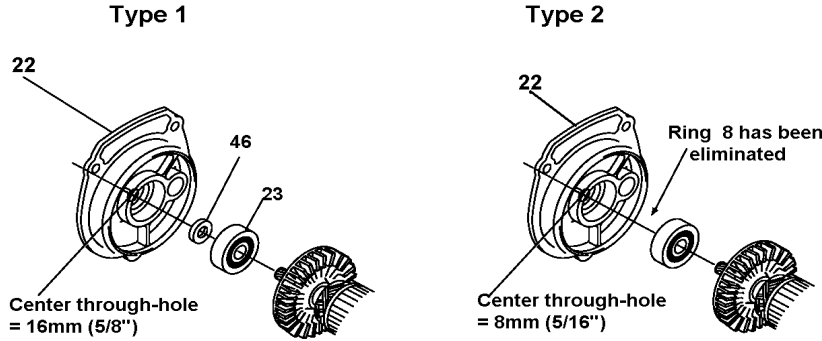
SERVICE CHANGES

1. Changes on Gear Housing Cover Com

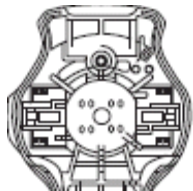
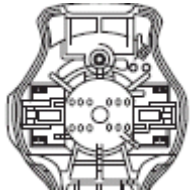
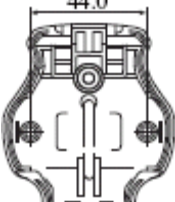
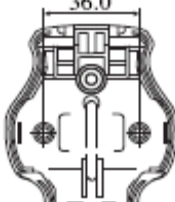
(T/I# 62713)

Item No.	Description	Type 1	Type 2
22	Gear Housing Cover Com.	151721-8	152910-8
46	Ring 8	262087-2	-----
	Serial No.	~ 2750E	2751E ~

Above parts are completely interchangeable as a set.



2. Changes on Motor Housing, Handle Cover Com.

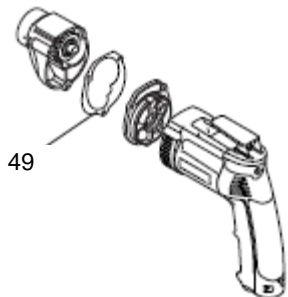
Item No.	Description	Type 1	Type 2	Type 3	Type 4
32	Motor Housing	417168-9	183285-4	188628-5	450718-7
					W/ White color printed Makita Logo
33	Makita Label	-----	819063-3		-----
42	Handle Cover Complete	151961-8		158710-4	
					

Above parts are completely interchangeable as a set.

3. Addition of Gasket

(T/I# 62523)

Item No.	Description	Type 1	Type 2
49	Gasket	-----	442136-3



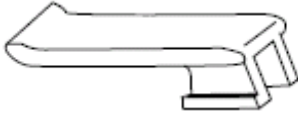
SERVICE CHANGES

3. Changes on Hook

(T/I# 62358)

Item No.	Description	Type 1	Type 2
31	Hook	416996-9	417625-7

Type1



Type2

